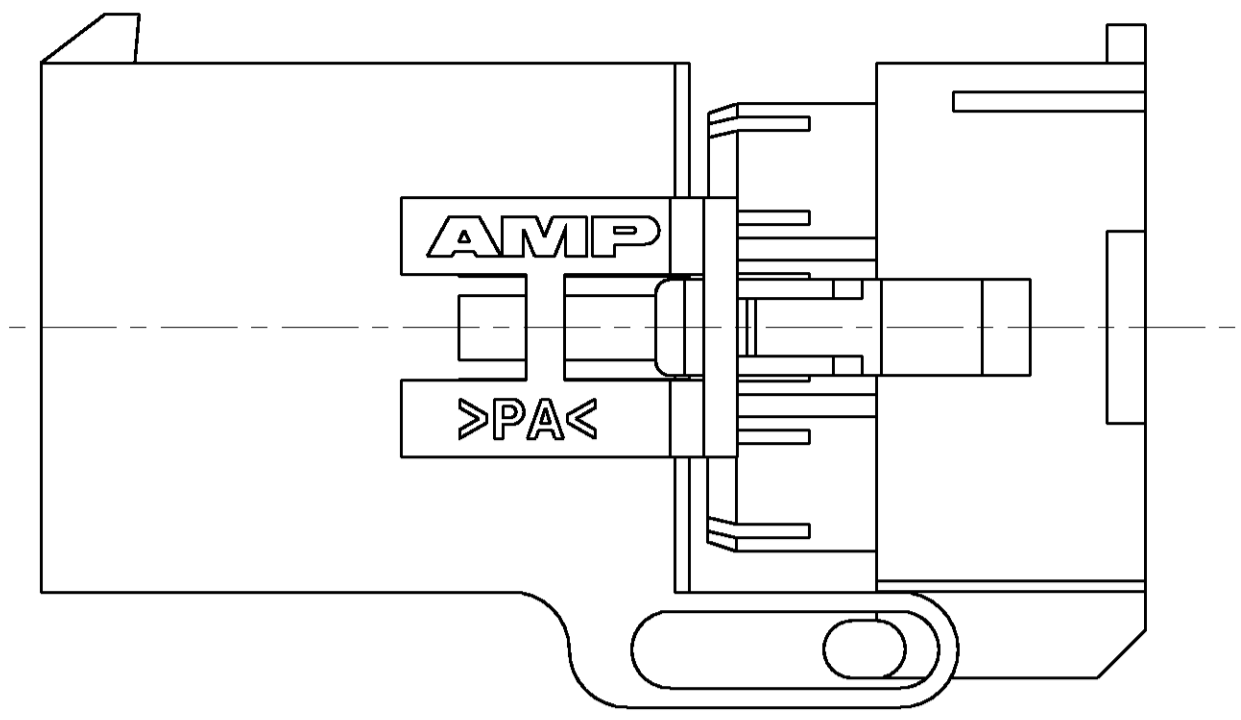
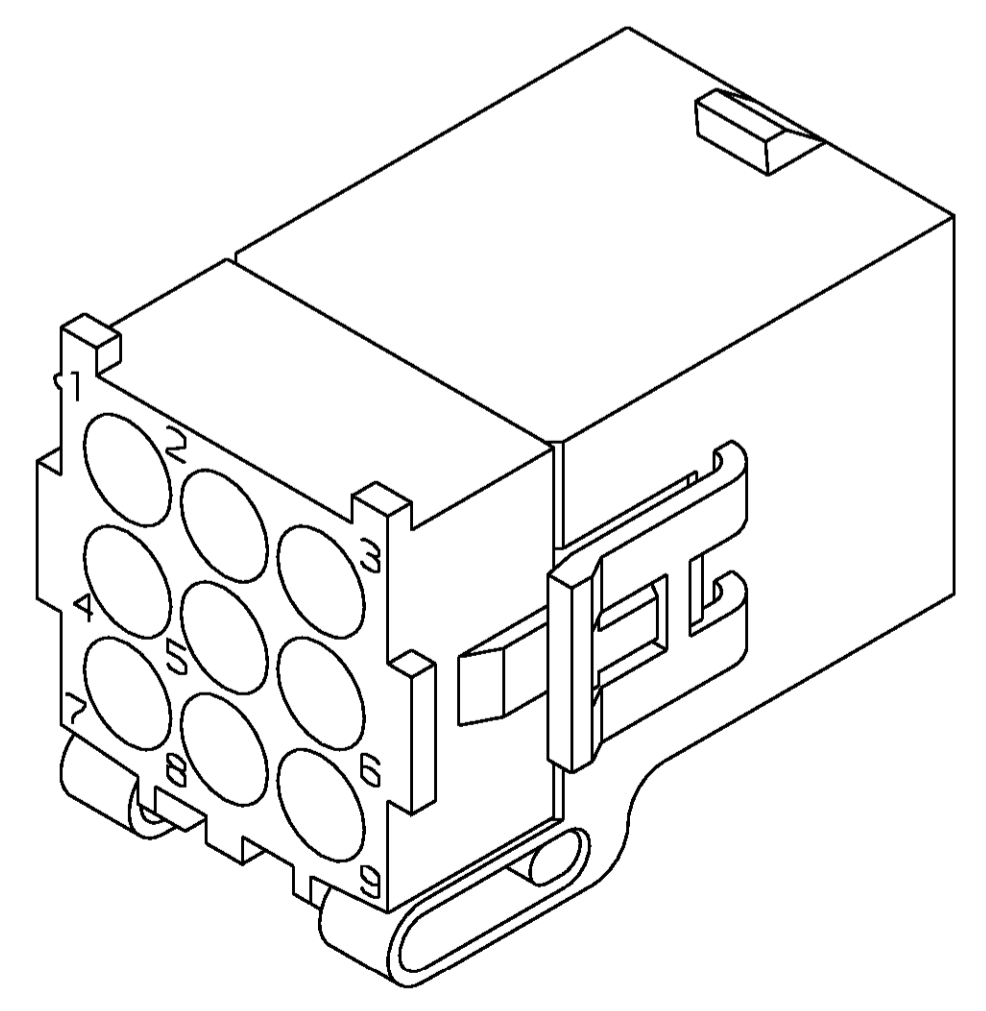
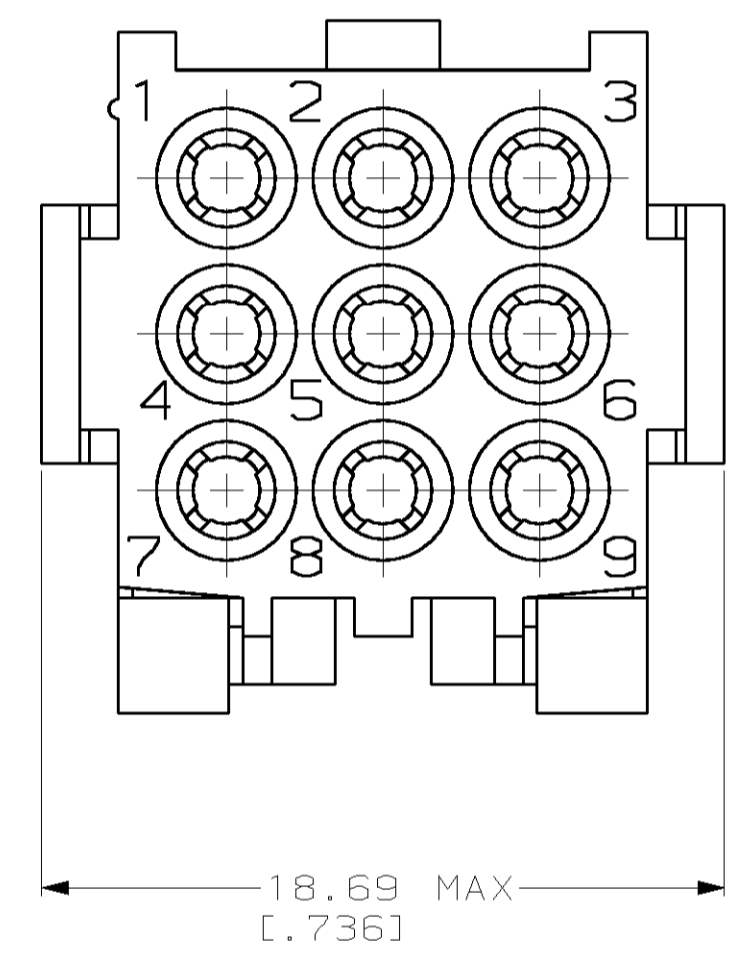
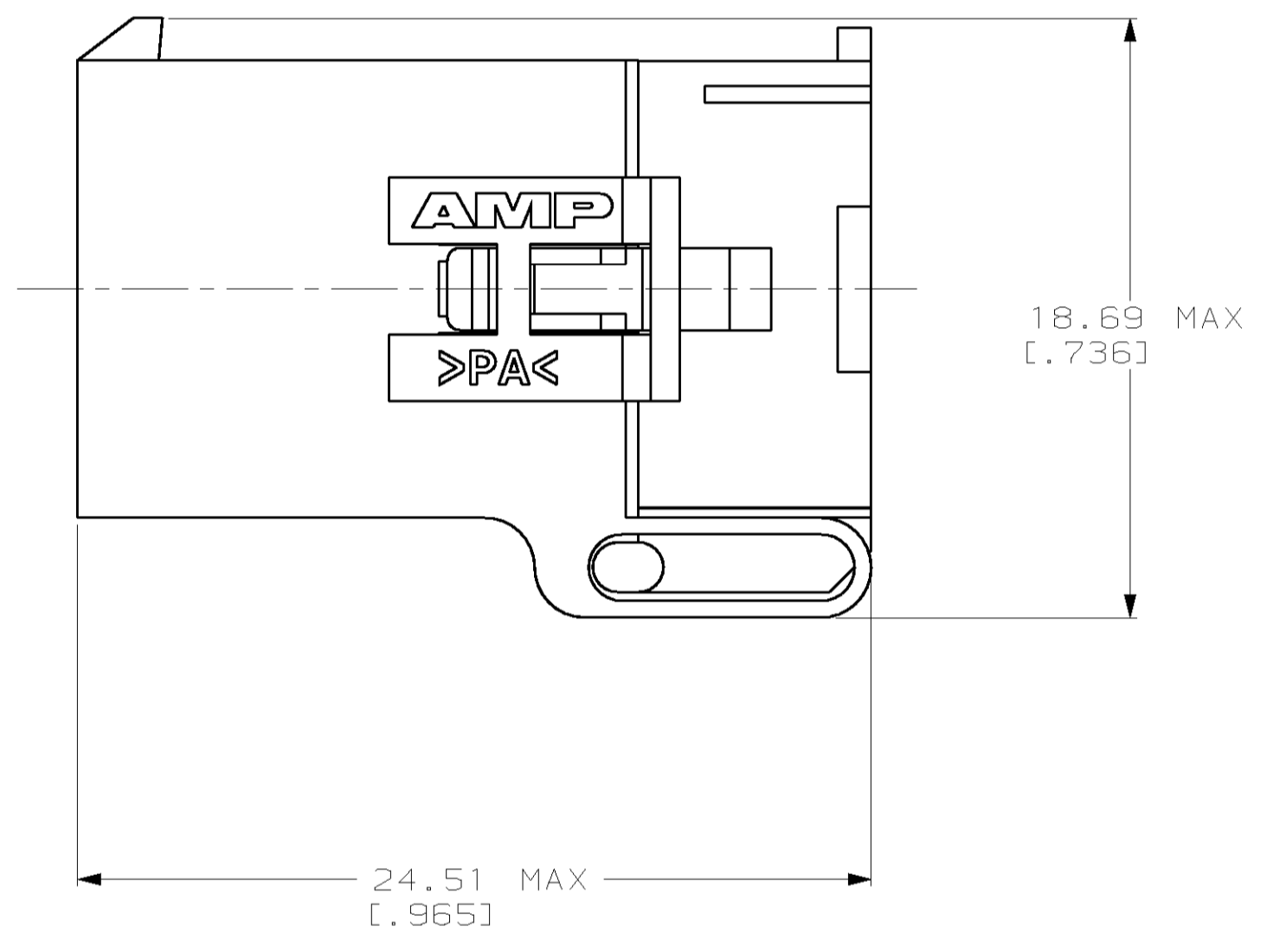
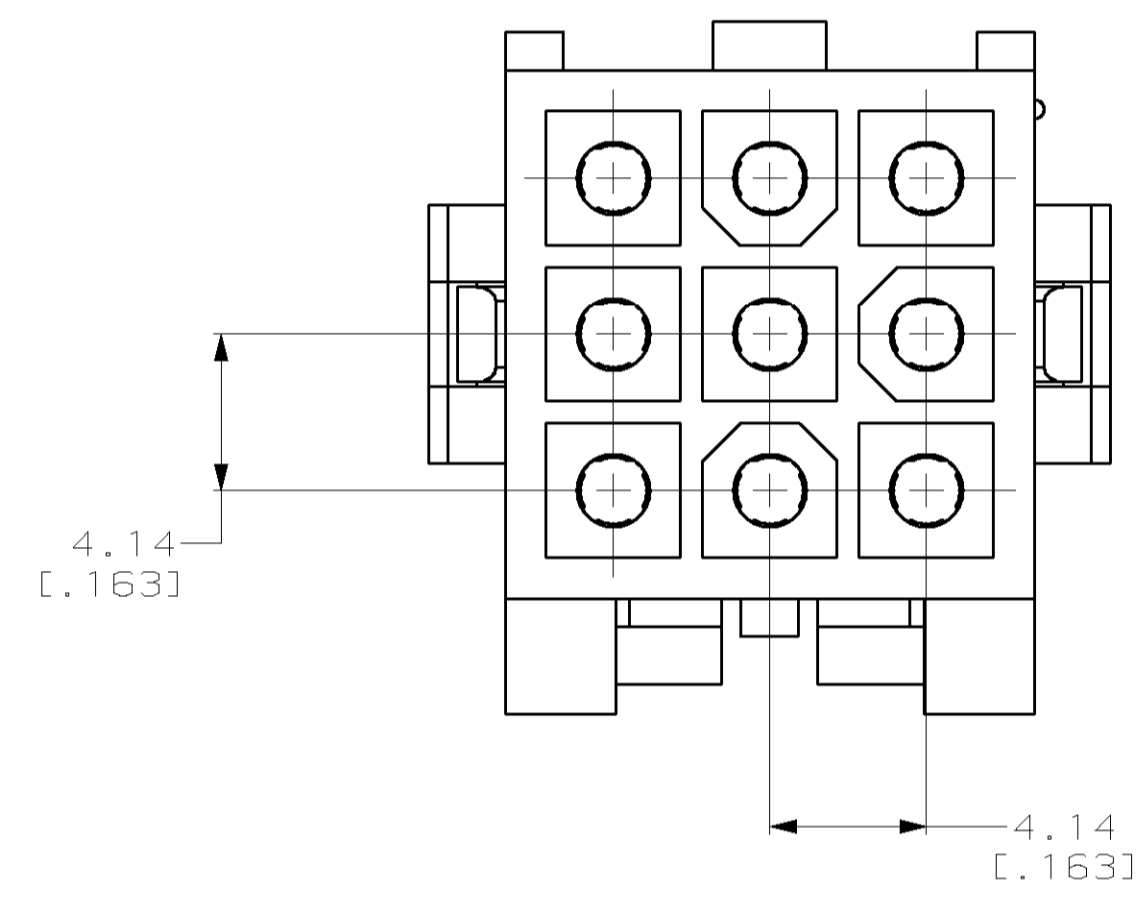


LOC	DIST	REV	PER	EC	DATE	OWN	APVD
CM	53	B	REV PER EC	061B-0094-99	23-SEP-99	KW	KC



PRE-STAGED CONDITION

1. DIMENSIONS IN BRACKETS ARE IN INCHES.



3-DIMENSIONAL MODEL
NTS

794195-1
PART NUMBER



THIS DRAWING IS A CONTROLLED DOCUMENT.		DWN K. WHITAKER	5-14-97	AMP AMP Incorporated Harrisburg, PA 17105-3608
DIMENSIONS:		CHK R. SWING	5-14-97	
TOLERANCES UNLESS OTHERWISE SPECIFIED:		APVD R. ORSTAD	5-14-97	NAME CAP, 9 CIRCUIT, MINI UNIVERSAL MATE-N-LOK™ 2
mm	0 PLC ±	PRODUCT SPEC		SIZE CAGE CODE DRAWING NO
	1 PLC ±	APPLICATION SPEC		A1 00779 C-794195
	2 PLC ±0.13 [0.005]	RESTRICTED TO		
	3 PLC ±			
	4 PLC ±			
	ANGLES 40°-90°			
MATERIAL NYLON, UL 94V-0, NATURAL	FINISH -	WEIGHT -		CUSTOMER DRAWING
		SCALE 5:1	SHEET 1 OF 1	REV B